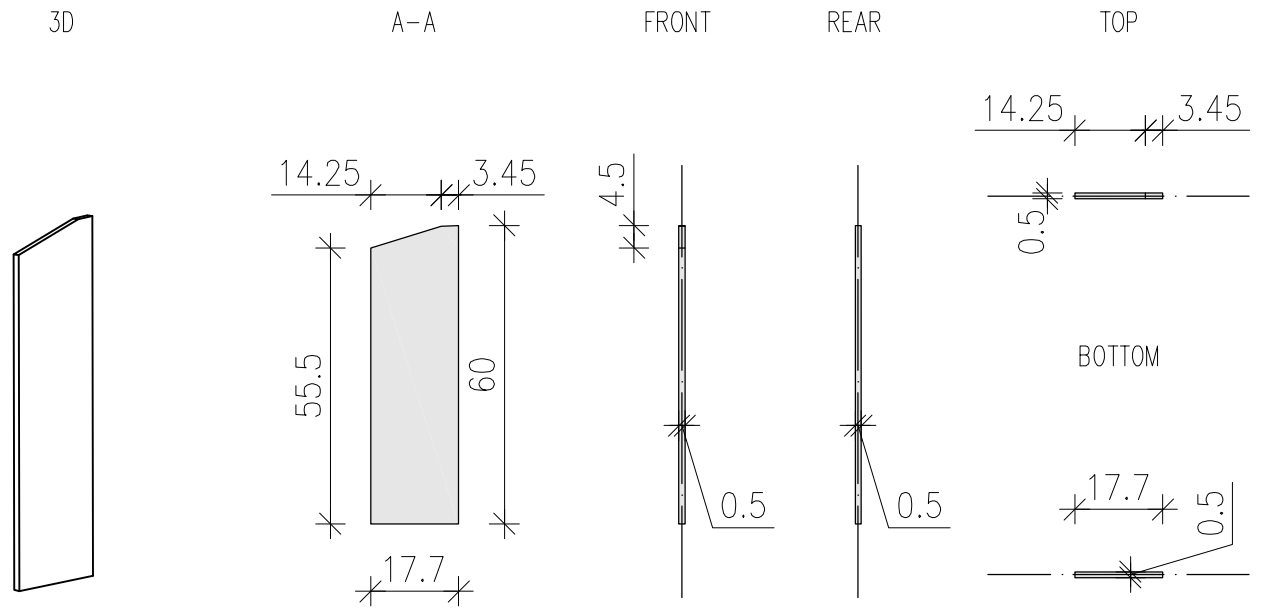
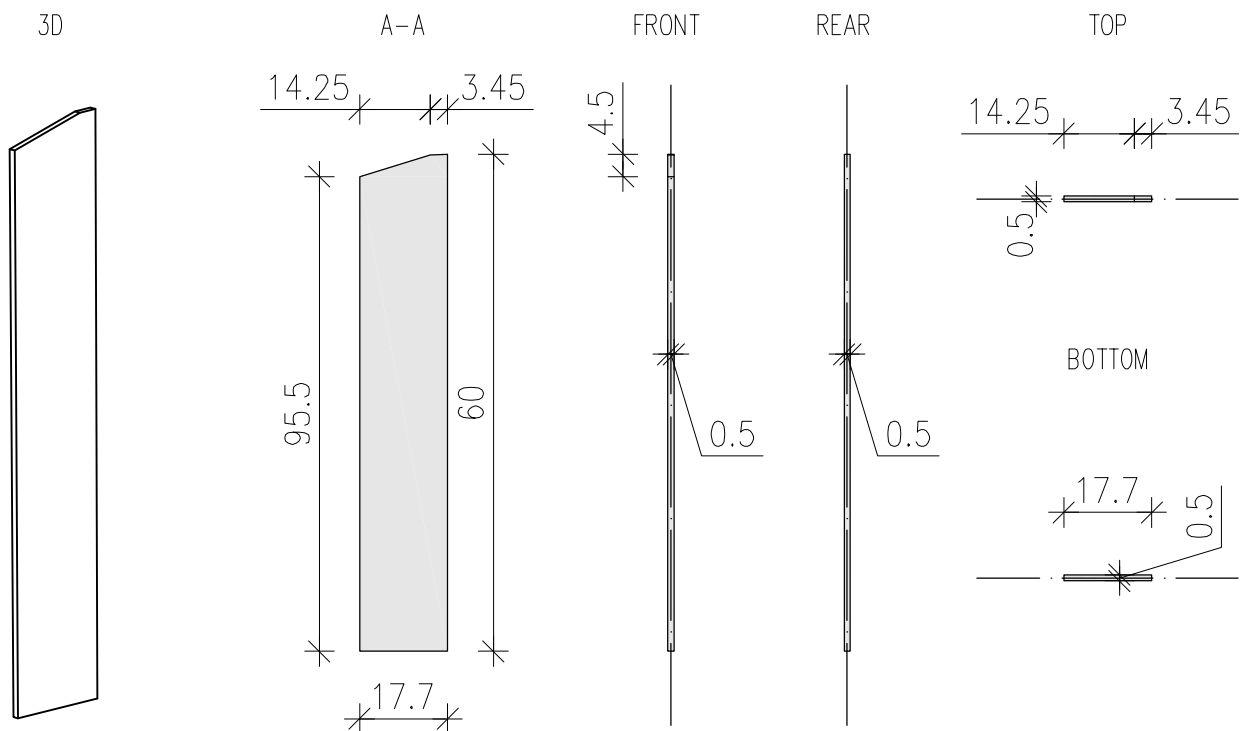


SEMS LPZ-60



SEMS LPZ-100



INFO:

Highest fire resistance class A1.
 Manufacturer's warranty 5 years.
 Made of anodised aluminum silver color.
 Available RAL Color powder coating.
 Completely resistant to atmospheric conditions,
 including UV rays.

NOTS:

 STRAMA PANELS

author:	
ENG. ARCHITECT DAMIAN ZAREMBA	
contact:	
tel.: +48 22 751 66 51	e-mail: biuro@stramagroup.com
title:	
SKIRTING BOARD END CUP END CUP SEMS LPZ60 & LPZ100	
date:	version:
27.09.2019	1.1
scale:	page:
NONE	1/1