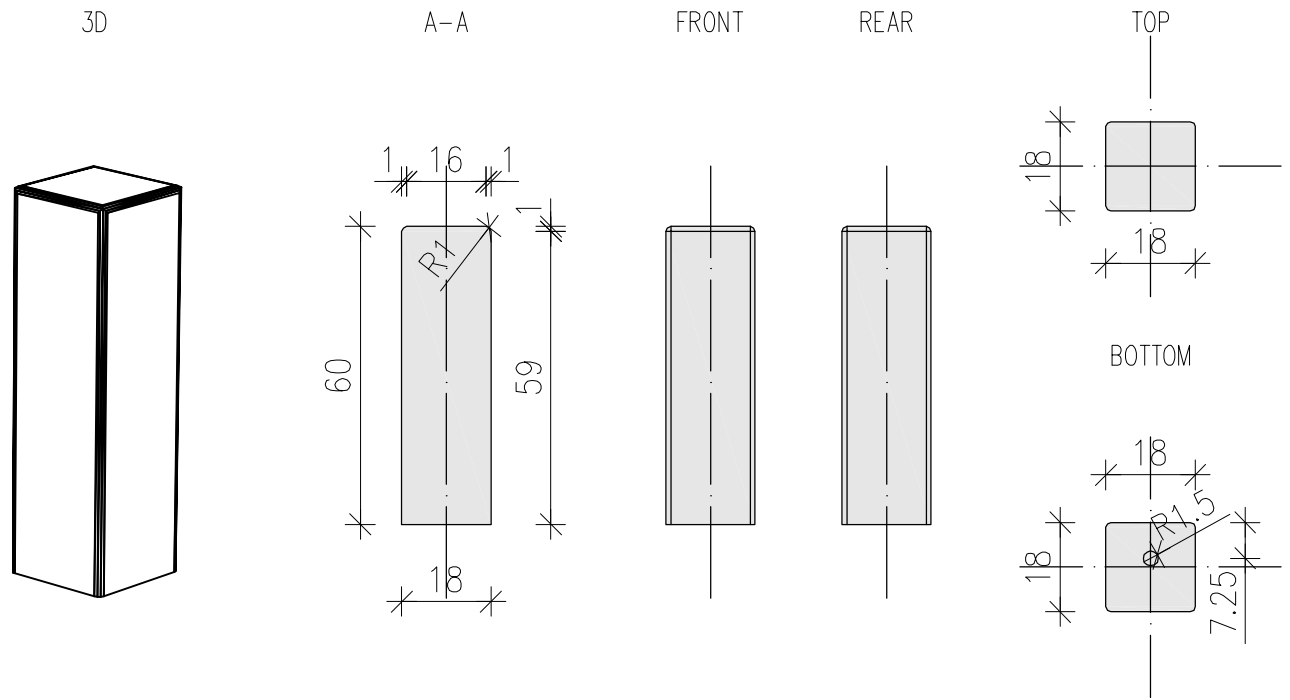
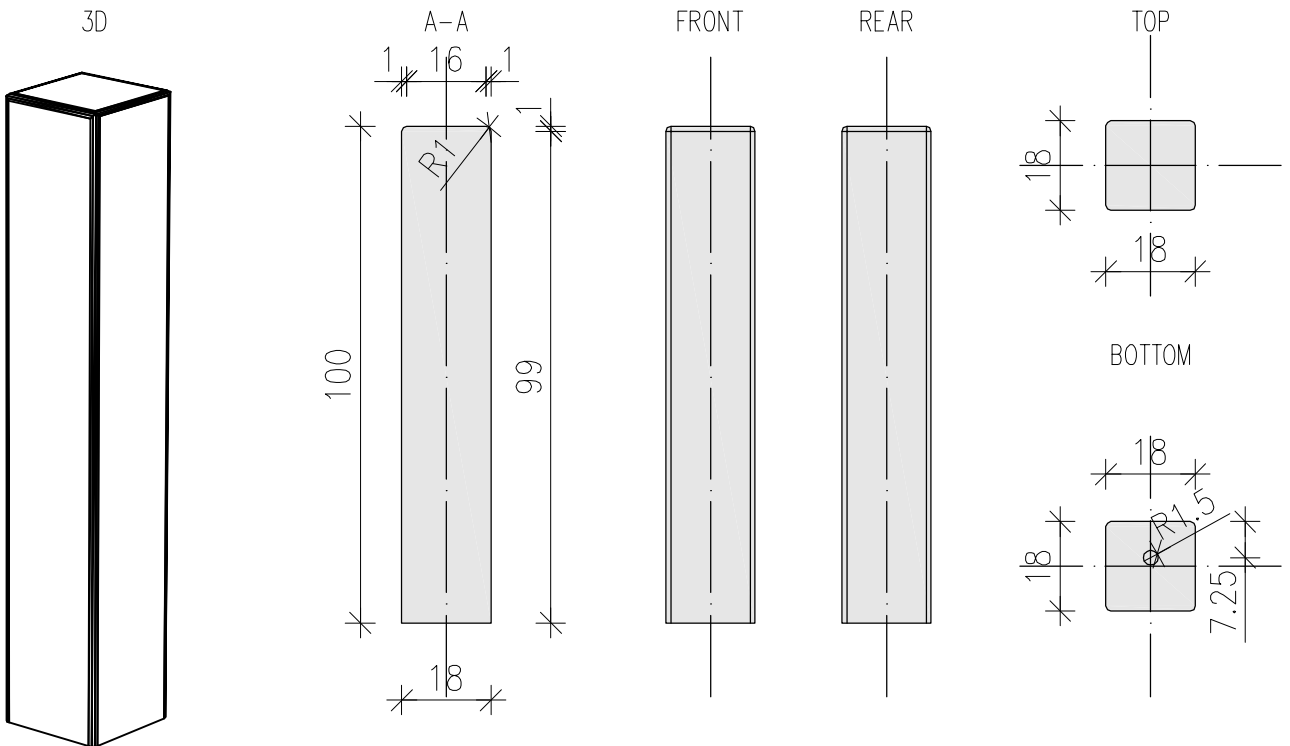


SEMS LPS-60



SEMS LPS-100



INFO:

Manufacturer's warranty 5 years.  
Made of natural varnished beech or oak wood.

NOTS:

 STRAMA PANELS

author:	
ENG. ARCHITECT DAMIAN ZAREMBA	
contact:	
tel.: +48 22 751 66 51	e-mail: biuro@stramagroup.com
title:	
SKIRTING BOARD FINISHING POST POST SEMS LPS 60 & LPS 100	
date:	version:
27.09.2019	1.1
scale:	page:
NONE	1/1