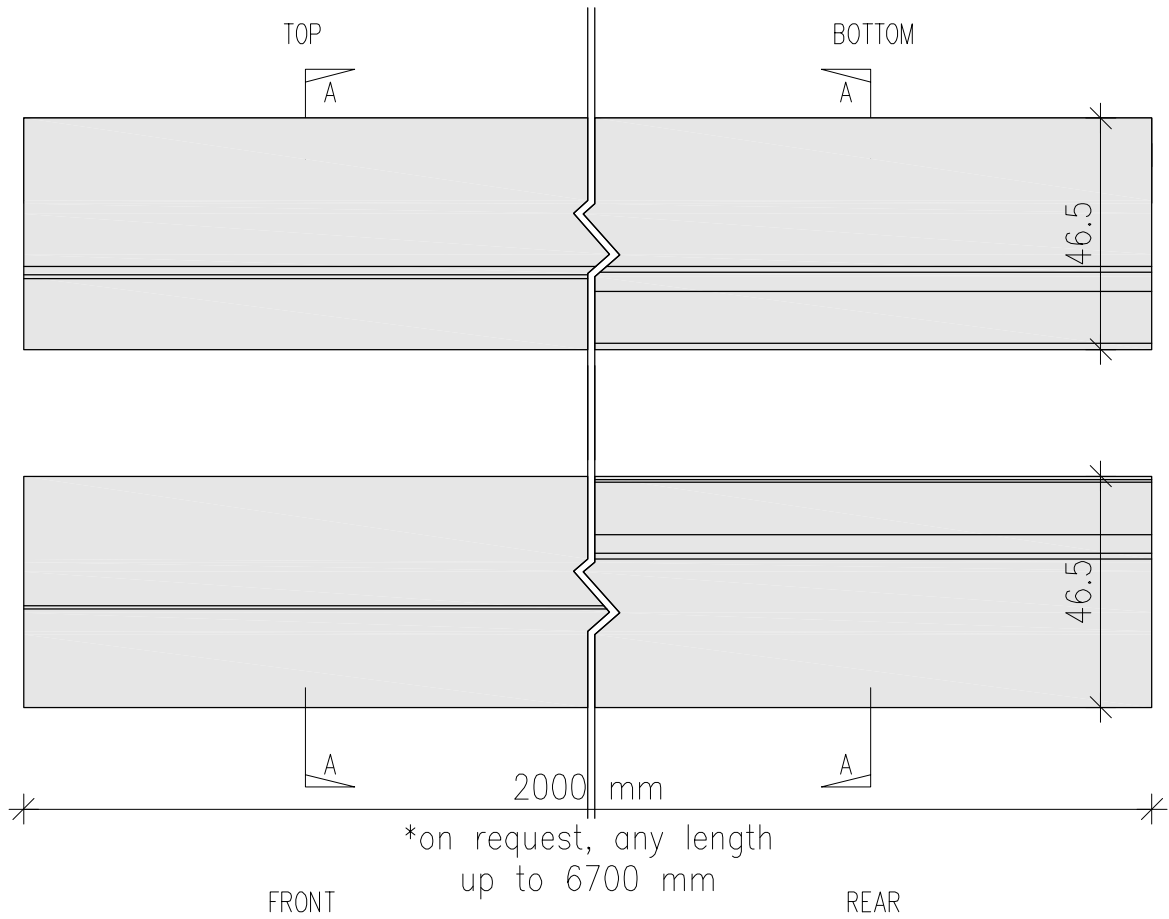
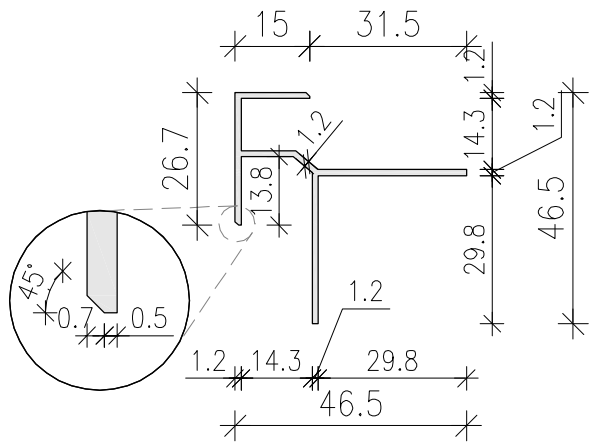
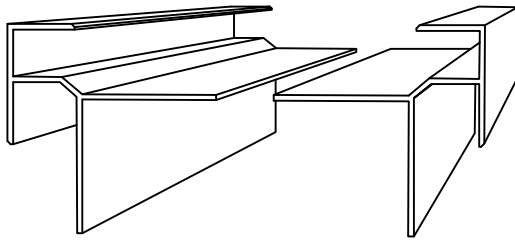


3D

A-A



**INFO:**

Highest fire resistance class A1.  
 Manufacturer's warranty 20 years.  
 Made of anodised aluminum available in six colors.  
 Available RAL Color powder coating, and WOOD & COLOUR DESIGN high-performance laminating films.  
 Completely resistant to atmospheric conditions, including UV rays.  
 Panel length normal/max 2000/6700 mm.  
 Weight 0.345 kg/m.  
 Available DryTherm SEMS-KD option.  
 Can be combined with our other series of panels.

**NOTS:**

**STRAMA PANELS**

author:	
ENG. ARCHITECT DAMIAN ZAREMBA	
contact:	
tel.: +48 22 751 66 51	e-mail: biuro@stramagroup.com
title:	
Corner finishing profile for Facade Panels STRAMA PANELS Alu Design SEMS-CA	
date:	version:
12.12.2019	1.3
scale:	page:
NONE	1/1